

Schmalz Connect Suite

IoT software for parameterization and analysis of IO-Link devices



Schmalz Connect Suite

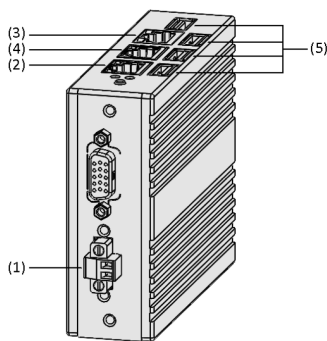
Suitability for industry specific applications

Application

- Easy and quick integration of intelligent Schmalz products as well as IO-Link components from any manufacturer for the use of their added value functions
- Commissioning, monitoring, maintenance and error analysis of the connected IO-Link components via a clear and intuitive web frontend
- Contains our broad application know-how for increasing the efficiency of vacuum systems
- Plug & Work: Does not require any intervention in the controller
- Includes compact, robust hardware

Design

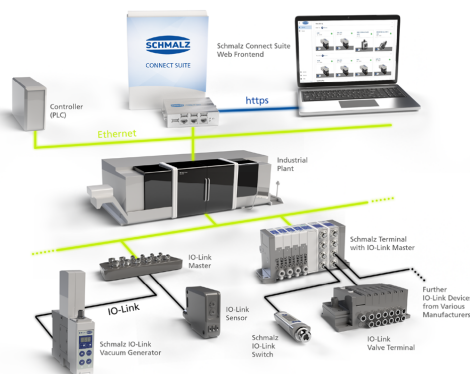
- Software for parameterizing and analyzing IO-Link devices
- Compact industrial PC with 24 V DC industrial power supply (1) and DIN rail bracket (not included in the scope of delivery)
- Three separate Ethernet interfaces for OT (production) (2), IT (frontend) (3) and system management (4)
- USB port (5) for software updates or Smart Device Interface SDI



System design Schmalz Connect Suite

Product highlights

- Plug-and-work access to IoT data and transfer to further applications via open REST interface
- Identification, parameterization and management of all connected IO-Link devices from any manufacturer
- Quick overview of all devices with status indicator in a clear browser dashboard
- Use of the comprehensive functions for energy and process control in Schmalz products



Integration of the Schmalz Connect Suite into the system architecture

Schmalz Connect Suite

IoT software for parameterization and analysis of IO-Link devices

Ordering data Schmalz Connect Suite

Type	Part no.
SCS HW 1	21.10.02.00069

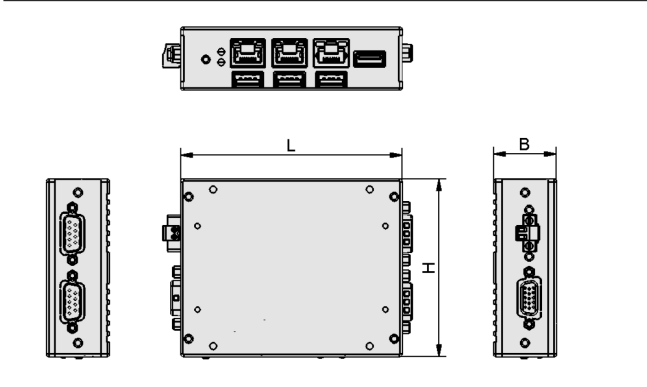
Technical data Schmalz Connect Suite

Type	Version	Primary voltage	Secondary voltage	Weight [g]
SCS HW 1	Hardware	24 V - DC	24 V - DC	410

Schmalz Connect Suite

IoT software for parameterization and analysis of IO-Link devices

📄 Design data Schmalz Connect Suite



📄 Design data Schmalz Connect Suite

Type	B [mm]	H [mm]	L [mm]
SCS HW 1	30	85	106

Software



Schmalz Connect Suite

IoT software for parameterization and analysis of IO-Link devices

Multimedia product presentation

Medium	Link
Product video	https://vimeo.com/415813348